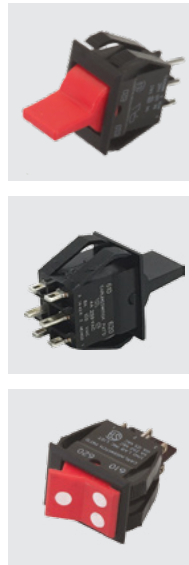
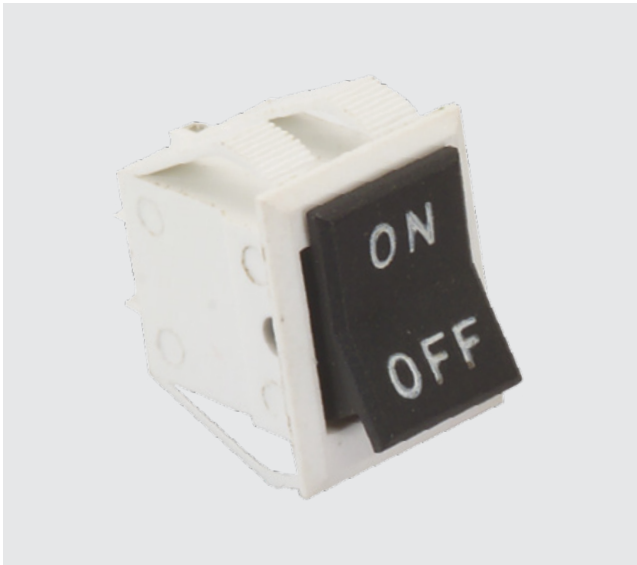


610/620

610/620-Series

SMALL-SIZED ROCKER SWITCHES

The 610/620-Series switches are double insulated and available in single or double pole configurations. These snap-in mounted switches are offered with either a paddle or rocker actuator and with ratings up to 8 amps.



Product Highlights:

- ◆ Single or double pole
- ◆ Paddle rocker actuator options
- ◆ Snap-In mounting method

Typical Applications:

- ◆ Handheld Appliance
- ◆ Audio-Visual
- ◆ Power Supplies
- ◆ Computers



Dielectric Strength

UL/CSA:
1000V - live to dead metal parts &
opposite polarity

Mechanical Life

100,000 cycles

Electrical Life

50,000 cycles- single pole
50,000 cycles- double pole

Operating Temperature

32°F to 185°F (0°C to 85°C)

62012421 - **0** - **0**

1 Base Part Number *2* Terminal Sealing *3* Legend

1 BASE PART NUMBER: SERIES / CIRCUITRY / RATING ¹ / TERMINATION ¹
4A 250VAC; 8A 125VAC
Single Pole

| | Solder Lugs | PC Term |
|--------------------|-------------|----------|
| On-none-On | 62011421 | 62011422 |
| On-none-(On) | 62011431 | 62011432 |
| On-off-On | 62011461 | 62011462 |
| On-off-(On) | 62011471 | 62011472 |
| (On)-off-(On) | 62011481 | 62011482 |
| Double Pole | | |
| On-none-On | 62012421 | 62012422 |
| On-none-(On) | 62012431 | 62012432 |
| On-off-On | 62012461 | 62012462 |
| On-off-(On) | 62012471 | 62012472 |
| (On)-off-(On) | 62012481 | 62012482 |

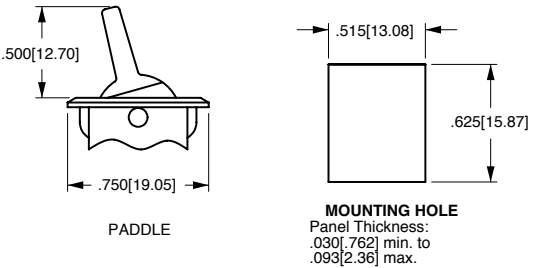
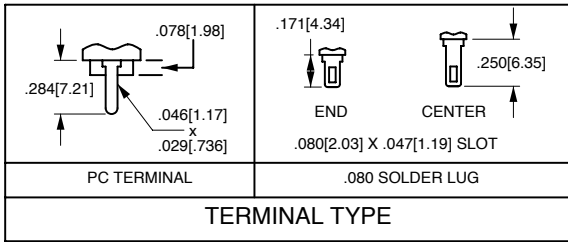
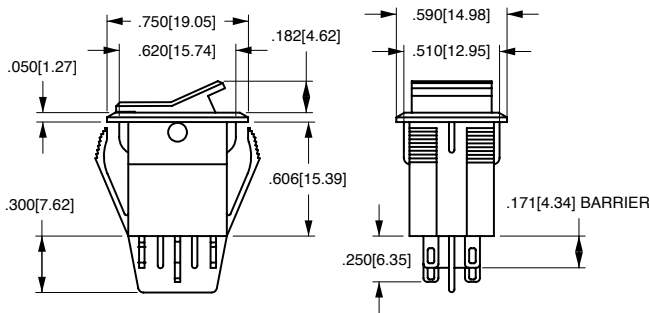
2 TERMINAL SEALING

| | |
|---|------------------------|
| 0 | None |
| E | Epoxy sealed terminals |

3 LEGEND

| | |
|-------------------|-----------|
| NO LEGEND | hot stamp |
| On-OFF vertical | A |
| On-OFF horizontal | B |
| I-O horizontal | D |
| I-O vertical | G |

Notes:
¹ Base part number specifies black rocker and bezel. To specify paddle actuator, change 2nd digit of part number from 2 to 1 (ex. 61012421) For additional ratings and colors, consult factory.
 () indicates momentary function.



*Manufacturer reserves the right to change product specification without prior notice.

Authorized Sales Representatives and Distributors

Click on a region of the map below to find your local representatives and distributors or visit www.carlingtech.com/findarep.



About Carling

Founded in 1920, Carling Technologies is a leading manufacturer of electrical and electronic switches and assemblies, circuit breakers, electronic controls, power distribution units, and multiplexed power distribution systems. With four ISO registered manufacturing facilities and technical sales offices worldwide, Carling Technologies Sales, Service and Engineering teams do much more than manufacture electrical components, they engineer powerful solutions! To learn more about Carling please visit www.carlingtech.com/company-profile.

To view all of Carling's environmental, quality, health & safety certifications please visit www.carlingtech.com/environmental-certifications

Worldwide Headquarters

Carling Technologies, Inc.
60 Johnson Avenue, Plainville, CT 06062
Phone: 860.793.9281 **Fax:** 860.793.9231
Email: sales@carlingtech.com

Northern Region Sales Office: nrsm@carlingtech.com
Southeast Region Sales Office: sersm@carlingtech.com
Midwest Region Sales Office: mrsm@carlingtech.com
West Region Sales Office: wrsm@carlingtech.com
Latin America Sales Office: larsm@carlingtech.com

Asia-Pacific Headquarters

Carling Technologies, Asia-Pacific Ltd.,
Suite 1607, 16/F Tower 2, The Gateway,
Harbour City, 25 Canton Road,
Tsimshatsui, Kowloon, Hong Kong
Phone: Int + 852-2737-2277 **Fax:** Int + 852-2736-9332
Email: sales@carlingtech.com.hk

Shenzhen, China: shenzhen@carlingtech.com
Shanghai, China: shanghai@carlingtech.com
Pune, India: india@carlingtech.com
Kaohsiung, Taiwan: taiwan@carlingtech.com
Yokohama, Japan: japan@carlingtech.com

Europe | Middle East | Africa Headquarters

Carling Technologies LTD
4 Airport Business Park, Exeter Airport,
Clyst Honiton, Exeter, Devon, EX5 2UL, UK
Phone: Int + 44 1392.364422 **Fax:** Int + 44 1392.364477
Email: ltd.sales@carlingtech.com

Germany: gmbh@carlingtech.com
France: sas@carlingtech.com



Carling Technologies®

Innovative Designs. Powerful Solutions.